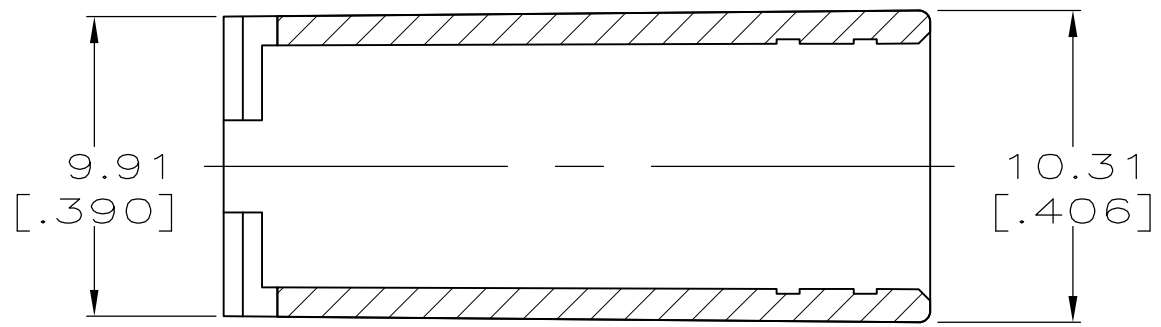


THIS DRAWING IS UNPUBLISHED. RELEASED FOR PUBLICATION  
 © COPYRIGHT - By - ALL RIGHTS RESERVED.

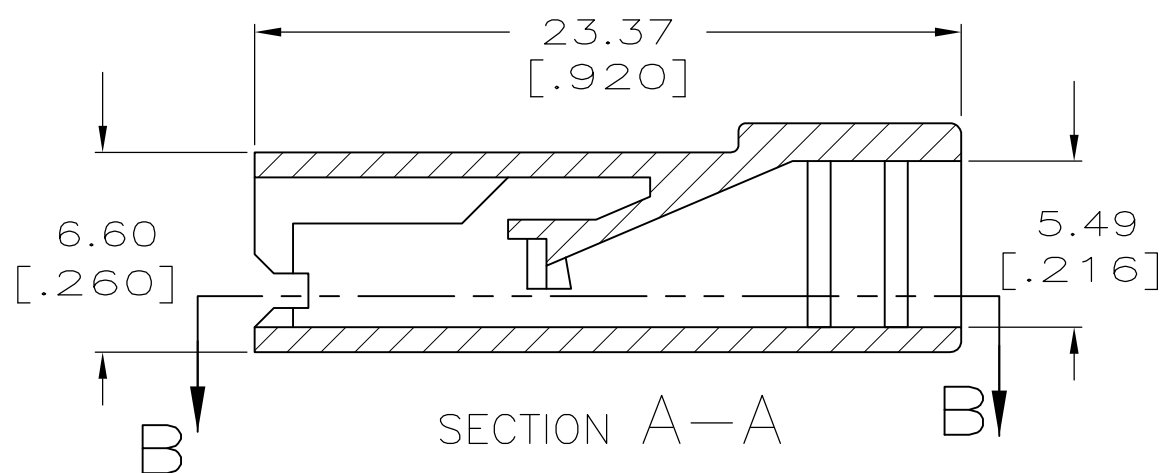
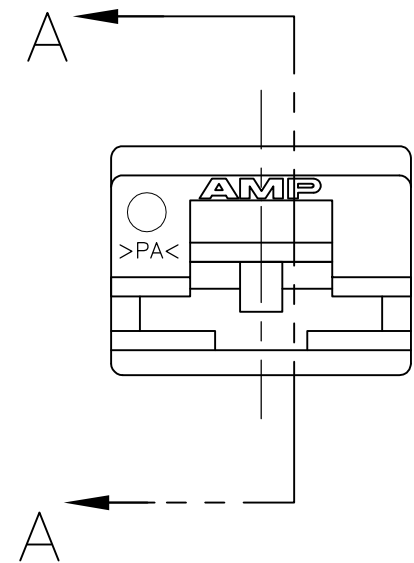
LOC	DIST	REVISIONS					
AF	50	P	LTR	DESCRIPTION	DATE	DWN	APVD
		AC6		REVISED PER ECO 13-003620	01MAR13	JR	PD



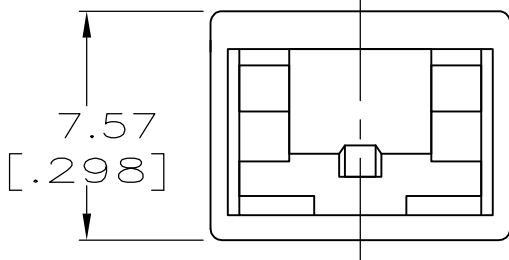
SECTION B-B

- 1 SPECIAL PACKAGING QUANTITIES.
- 2 POLYAMIDE ACCORDING TO IEC 60335-1, GLOW WIRE.
- 3 PRELIMINARY - NOT FOR PRODUCTION

5 CONTACT PRODUCT ENGINEERING FOR TERMINAL RECOMMENDATIONS WHEN USING THIS INSULATOR WITH 10 AWG WIRE



SECTION A-A



SUPERCEDED BY 1-480416-0  
 OBSOLETE  
 SUPERCEDED BY 1-480416-0

NATURAL	2 <sup>66</sup> NYLON, UL94 V0	3	2-480416-3
NATURAL	2 <sup>UL94 V2</sup>		2-480416-2
NATURAL	6/6 NYLON	3 1	2-480416-1
NATURAL	UL94 5VA RATED	3	2-480416-0
NATURAL	4/6 NYLON UL 150		1-480416-8
NATURAL	66 NYLON, V0		1-480416-7
NATURAL	POLYESTER		1-480416-6
RED	6/6 NYLON		1-480416-4
BLUE			1-480416-3
BLACK			1-480416-1
NATURAL			1-480416-0
FINISH	MATERIAL	PART NO	

THIS DRAWING IS A CONTROLLED DOCUMENT.		DWN	JR RUTH	2/4/91	<b>STE</b> TE Connectivity		
DIMENSIONS: INCHES		CHK	P FORTNEY	2/4/91			
TOLERANCES UNLESS OTHERWISE SPECIFIED:		APVD	C MEYERS	2/4/91	NAME		
0 PLC ± -		PRODUCT SPEC		HOUSING, RECEPTACLE, FASTON, 6.35 [.250] SERIES			
1 PLC ± -		APPLICATION SPEC		-			
2 PLC ± 0.38 [.015]		SIZE	A3	CAGE CODE	00779	DRAWING NO	C-480416
3 PLC ± -		WEIGHT		RESTRICTED TO		-	
4 PLC ± -		CUSTOMER DRAWING					
ANGLES ± -		SCALE		SHEET		REV	
MATERIAL SEE TABLE		FINISH SEE TABLE		4:1		1 OF 1	
						AC6	